



Auto-Empty Station

Instruction Manual/Manuel d'instructions/Manual de instrucciones

EN	Instruction Manual.....	2
FR-CA	Manuel d’instructions	20
ES-LA	Manual de instrucciones.....	39

Live Smart. Enjoy Life.

Should you encounter situations that have not been properly addressed in this Instruction Manual, please contact our Customer Service Center where a technician will be able to help you with your specific problem or question.

For more information, please visit the ECOVACS ROBOTICS official website: www.ecovacs.com

The company reserves the right to make technological and/or design changes to this product for continuous improvement.

Important Safety Instructions

IMPORTANT SAFETY INSTRUCTIONS

When using an electrical Appliance, basic precautions should always be followed, including the following:

READ ALL INSTRUCTIONS BEFORE USING (THIS APPLIANCE)

WARNING – To reduce the risk of fire, electric shock, or injury:

1. Do not leave appliance when plugged in. Unplug from outlet when not in use and before servicing.
2. For INDOOR household use ONLY. Do not use outdoors or on wet surfaces.
3. Do not allow to be used as a toy. Close attention is necessary when used by or near children.
4. The appliance is not to be used by persons (including children) with reduced physical, sensory or mental capabilities, or lack of experience and knowledge, unless they have been given supervision or instruction. Children should be supervised not to play with the appliance.
5. Use only as described in this manual. Use only manufacturer's recommended attachments.
6. Do not use with damaged cord or plug. If appliance is not working as it should, has been dropped, damaged, left outdoors, or dropped into water, return it to a service center.
7. Do not pull or carry by cord, use cord as a handle, close a door on cord, or pull cord around sharp edges or corners. Do not run appliance over cord. Keep cord away from heated surfaces.
8. Do not unplug by pulling on cord. To unplug, grasp the plug, not the cord.
9. Do not handle plug or appliance with wet hands.
10. Do not put any object into openings. Do not use with any opening blocked; keep free of dust, lint, hair, and anything that may reduce air flow.
11. Keep hair, loose clothing, ngers, and all parts of body away from openings and moving parts.
12. Turn off all controls before unplugging.
13. Use extra care when cleaning on stairs.
14. Do not use to pick up ammable or combustible

liquids, such as gasoline, or use in areas where they may be present.

15. Do not use without dust bag and/or filters in place.
16. Do not pick up anything that is burning or smoking, such as cigarettes, matches, or hot ashes.
17. Please make sure your power supply voltage matches the power voltage marked on the Docking Station.
18. Do not use in extremely hot or cold environments (below $-5^{\circ}\text{C}/23^{\circ}\text{F}$ or above $40^{\circ}\text{C}/104^{\circ}\text{F}$).
19. The Docking Station is not to be repaired and not to be used any longer if it is damaged or defective.
20. The Docking Station must be used in accordance with the directions in this Instruction Manual. ECOVACS ROBOTICS cannot be held liable or responsible for any damages or injuries caused by improper use.
21. Do not charge non-rechargeable batteries.

To reduce the risk of electric shock, this appliance has a polarized plug (one blade is wider than the other). This plug will fit in a polarized outlet only one way. If the plug does not fit fully in the outlet, reverse the plug. If it still does not fit, contact a qualified electrician to install the proper outlet. Do not change the plug in any way.

SAVE THESE INSTRUCTIONS

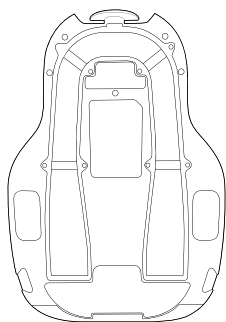
Contents

1. Package Contents	6
2. Using Auto-Empty Station	10
4. Maintenance	14
5. Troubleshooting.....	18
6. Product Specifications.....	19

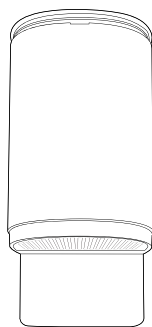
1. Package Contents/1.1 Package Contents



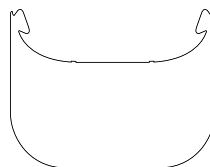
Instruction Manual



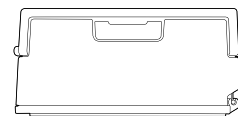
Base



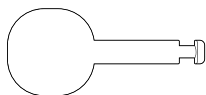
Dust Container



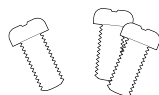
Ramp Extension
(For carpet use only)



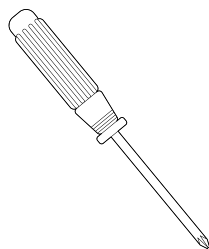
Auto-Empty Dust Bin



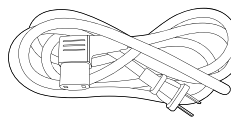
DEEBOT Auto-Empty
Outlet Key



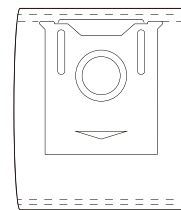
Base Socket Screws



Screw Driver



Power Cord

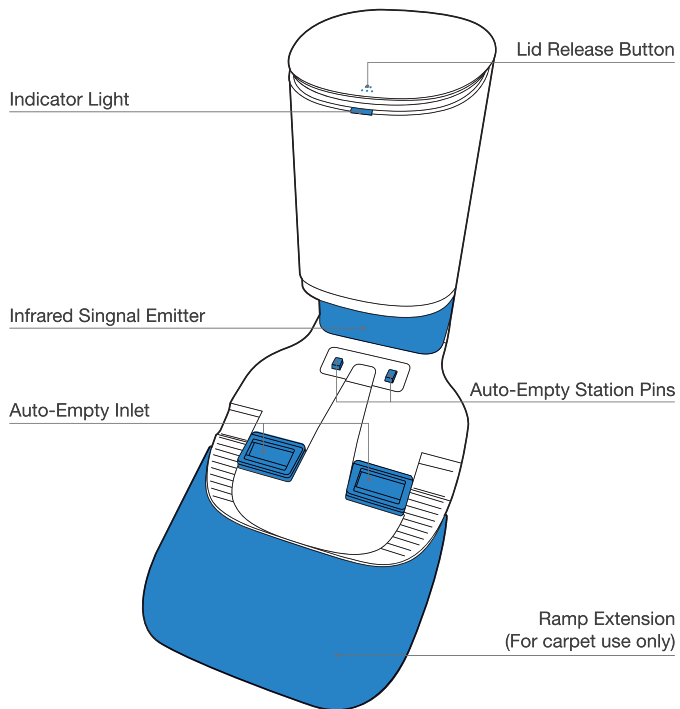


Dust Bag

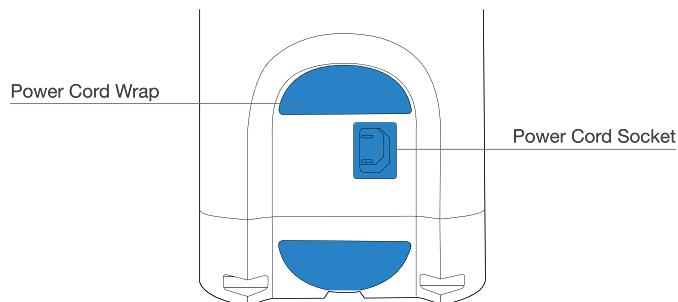
Note: Figures and illustrations are for reference only and may differ from actual product appearance. Product design and specifications are subject to changes without notice.

1. Package Contents/1.2 Product Diagram

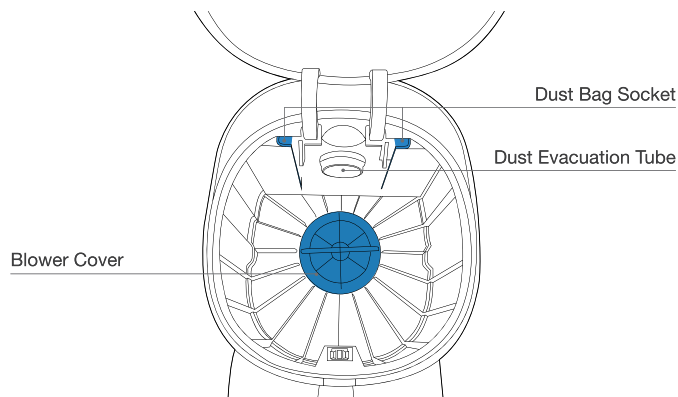
Auto-Empty Station



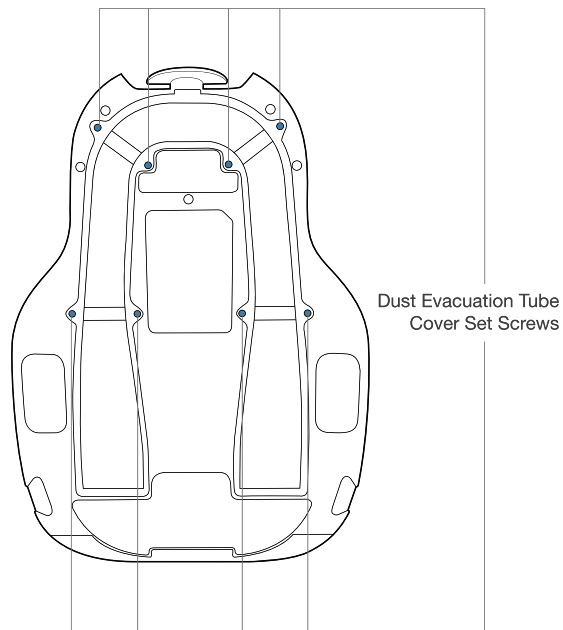
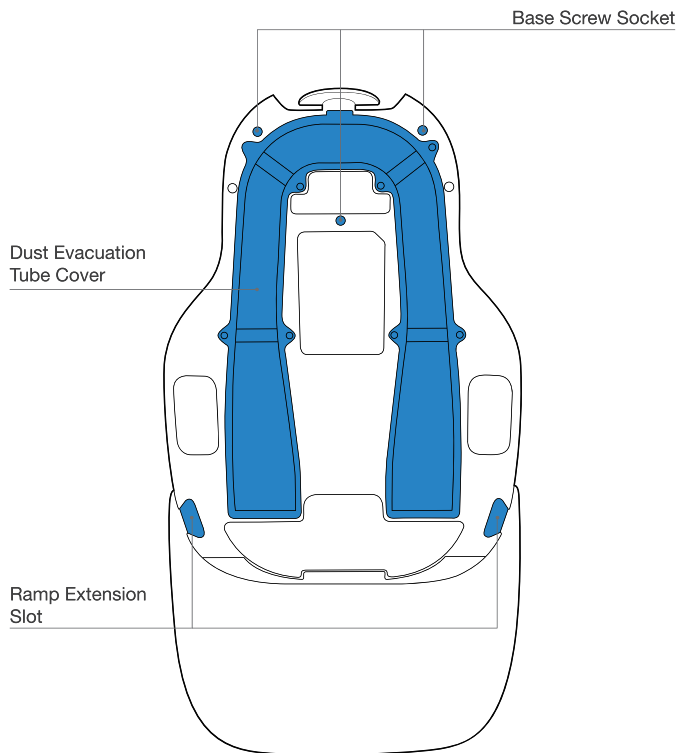
Auto-Empty Station (Back)



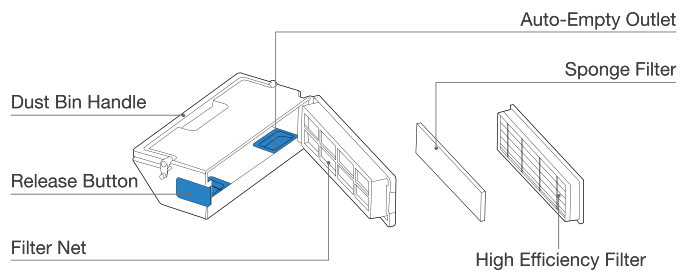
Auto-Empty Station (Top)



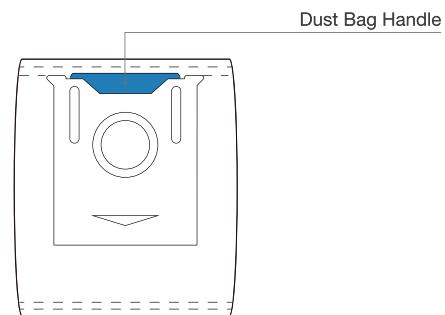
Auto-Empty Station (Bottom)



Auto-Empty Dust Bin

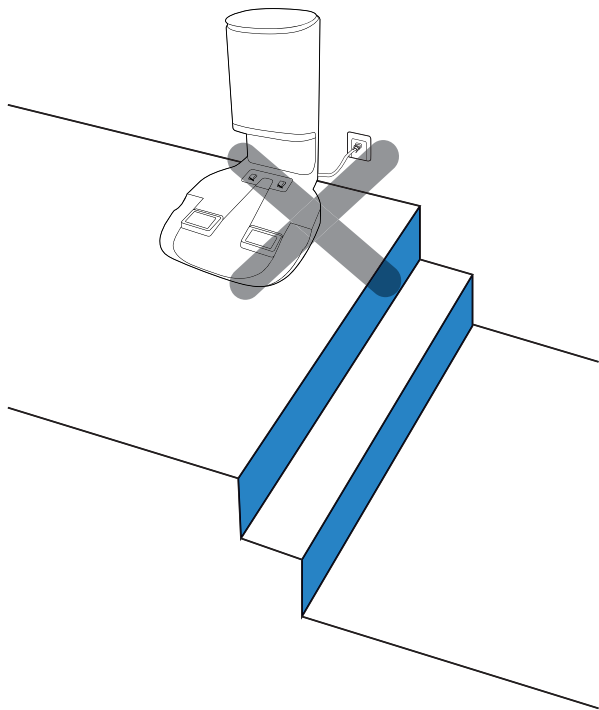


Dust Bag

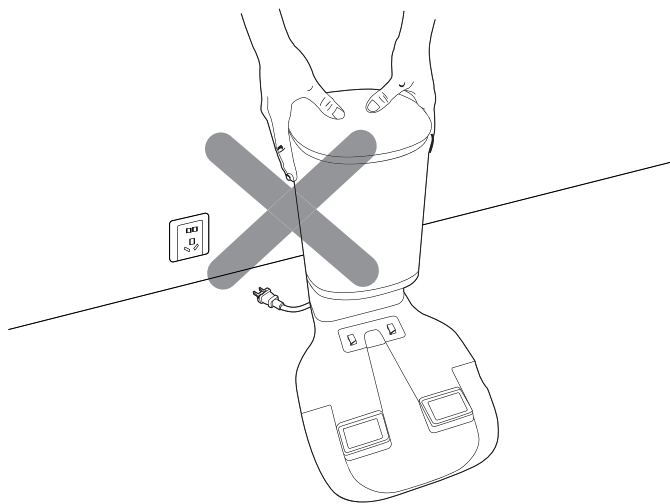


2. Using Auto-Empty Station/2.1 Note before Using

- 1 Do not place the Auto-Empty Station near stairs or a drop off to prevent DEEBOT from falling over the edge.

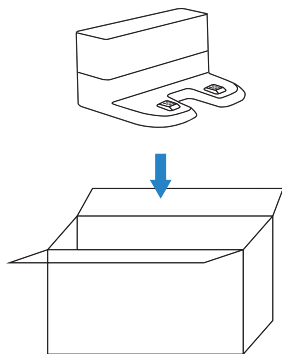


- 2 In order to make sure DEEBOT returns to the station successfully, avoid picking up and moving the Auto-Empty Station during the cleaning. If the Auto-Empty Station is moved, DEEBOT may fail to locate itself and lose the map.

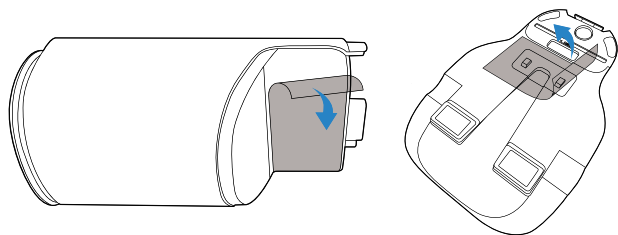


2. Using Auto-Empty Station/2.2 Quick Start

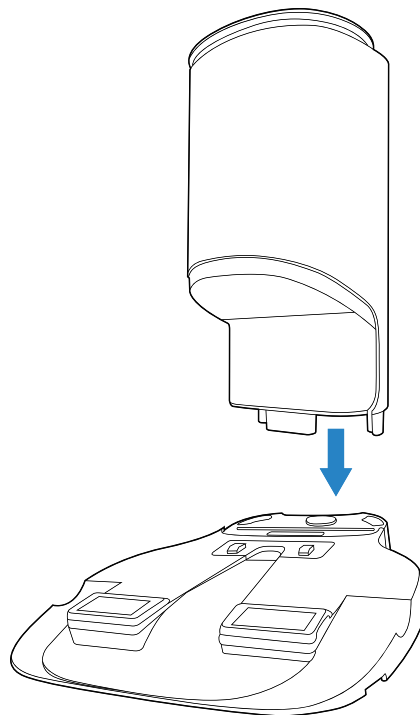
1 Put Away the Original Docking Station



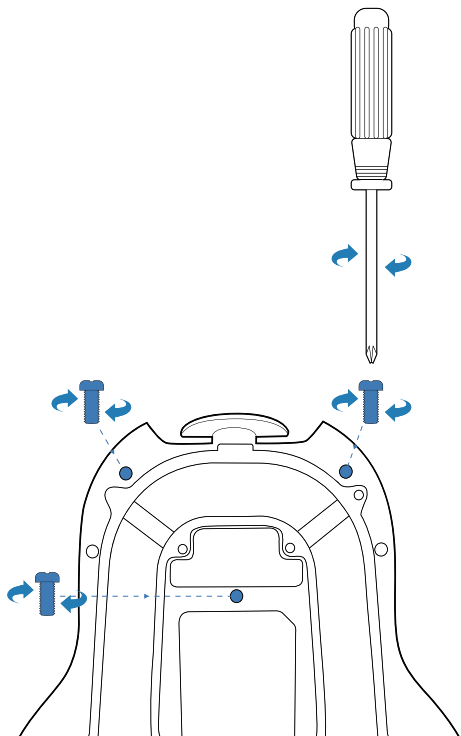
2 Remove Protection Films



3 Connect the Dust Container and the Base

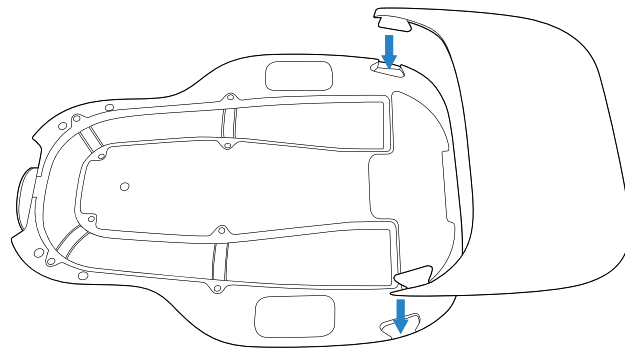


4 Tighten the Base Socket Set Screws

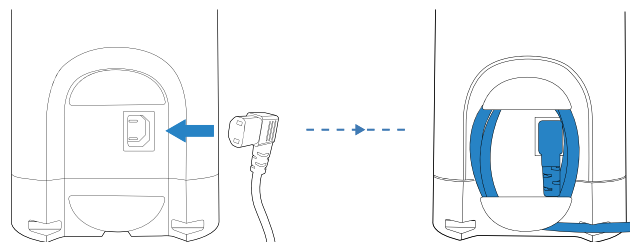


5 For carpet use only

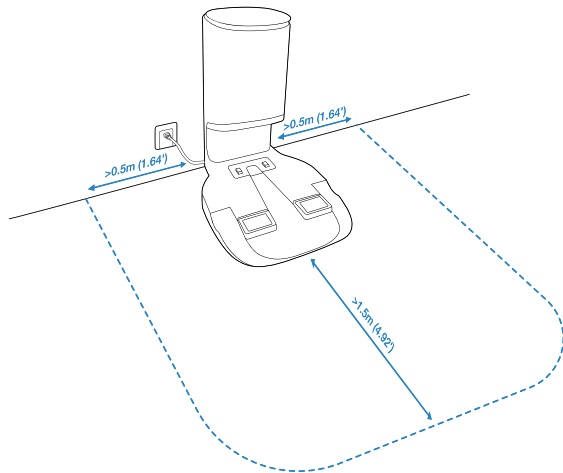
* When Auto-Empty Station is placed on a carpet, install the Ramp Extension to the station for DEEBOT to return to charge successfully.



6 Connect Power Cord

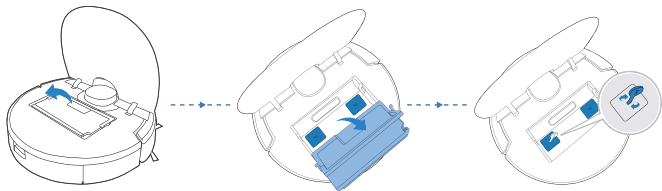


7 Place Auto-Empty Station

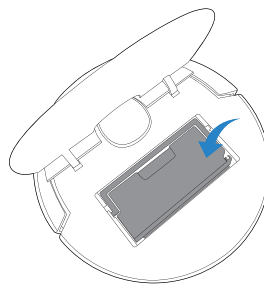


8 Unlock DEEBOT Auto-Empty Outlet Covers

* Remove both covers by turning DEEBOT Auto-Empty Outlet Key clockwise.

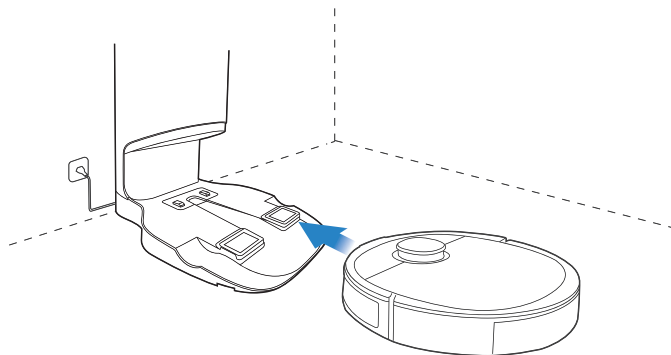


9 Install Auto-Empty Dust Bin



10 Charge DEEBOT

* Before first use, please power ON DEEBOT and place DEEBOT on the Auto-Empty Station to charge. Make sure DEEBOT starts cleaning from the Auto-Empty Station to help DEEBOT return to charge successfully.



2. Using Auto-Empty Station/ 2.3 Charging and Auto-Emptying

When Auto-Empty Station is connected to power, DEEBOT automatically returns to the station to charge and empty the Dust Bin as it needs.

* Empty remaining water from the reservoir and remove the reservoir and the Cleaning Cloth Plate before charging DEEBOT.

3. Maintenance/ 3.1 Regular Maintenance

To keep DEEBOT and Auto-Empty Station running at peak performance, perform maintenance tasks and replace parts with the following frequencies:

Part	Maintenance Frequency	Replacement Frequency
Dust Bag	/	Dust Bags should be replaced when prompted by the ECOVACS HOME App.
Infrared Singnal Emitter	Once per week	/
Auto-Empty Station Pins	Once per week	/
Sponge Filter	Once per week	Every 3-6 months
High Efficiency Filter	Once per week	Every 3-6 months

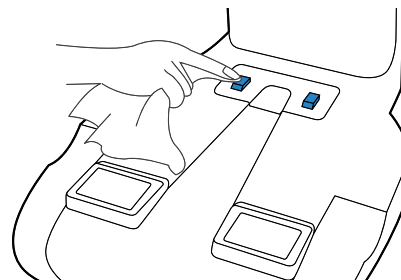
Note: Visit <https://www.ecovacs.com/global> for more information to purchase accessory replacements.

3. Maintenance/ 3.2 Auto-Empty Station

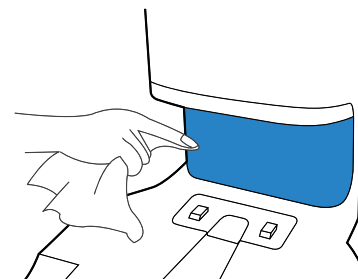
Note: Before performing cleaning and maintenance on Auto-Empty Station, unplug it first.

Clean with a clean dry cloth, and avoid using any detergent or cleaning spray.

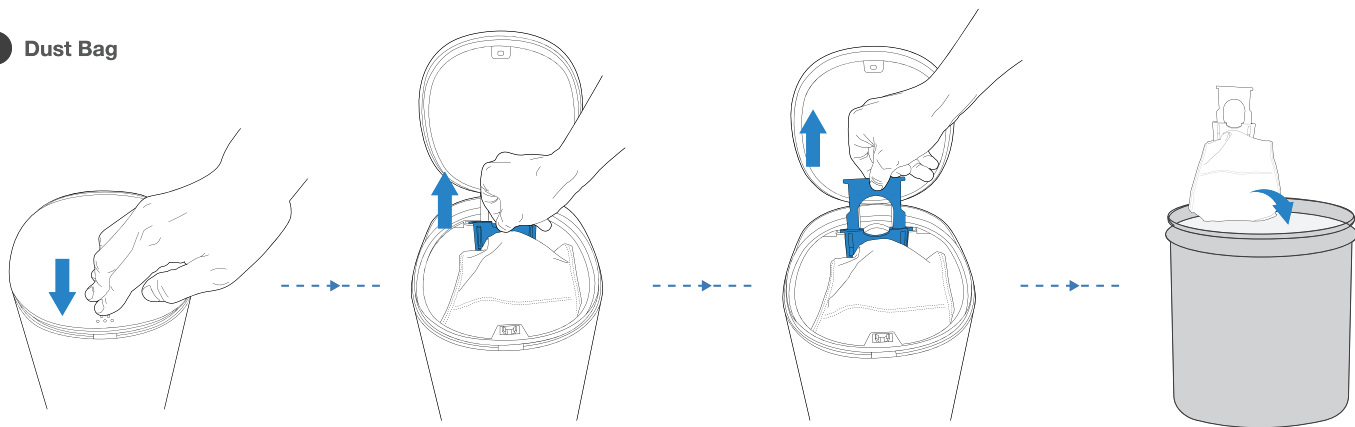
1 Auto-Empty Station Pins



2 Infrared Signal Emitter

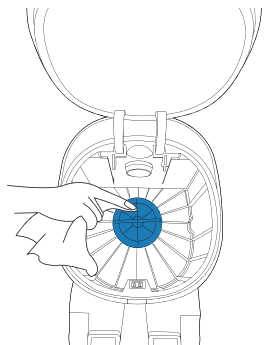


3 Dust Bag

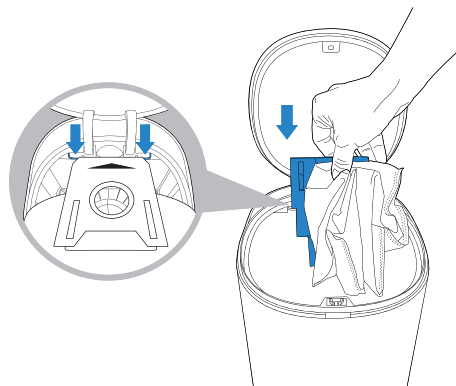


* The Dust Bag will be sealed by the handle so the dust will not leak.

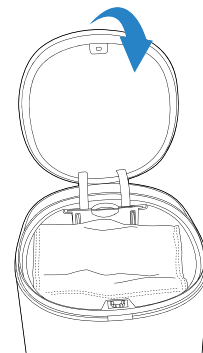
4 Wipe the Blower Cover Clean



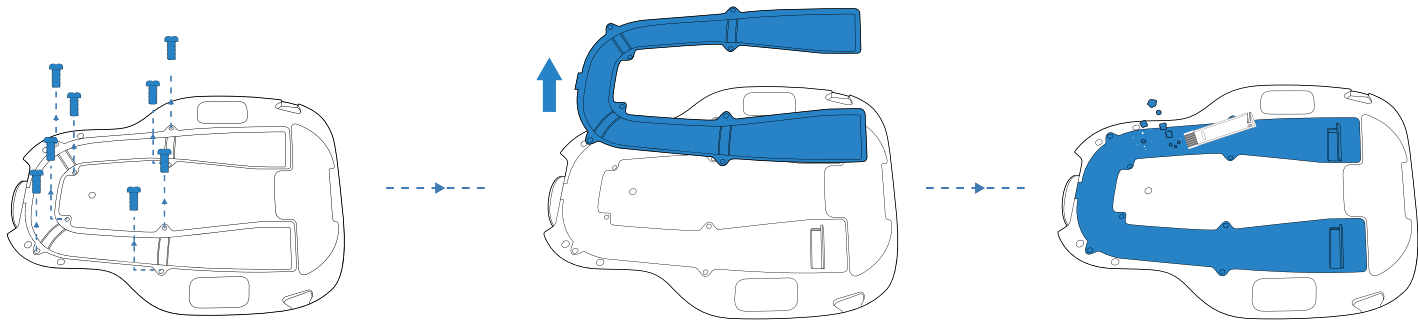
5 Install Dust Bag



6 Press to Close the Lid



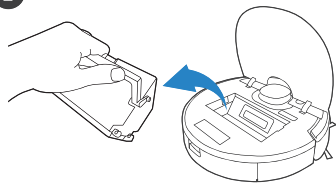
6 Dust Evacuation Tube



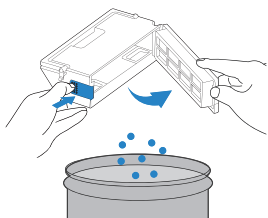
3. Maintenance/3.3 Auto-Empty Dust Bin and Filters

Auto-Empty Dust Bin

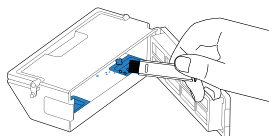
1



2

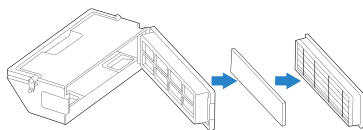


3

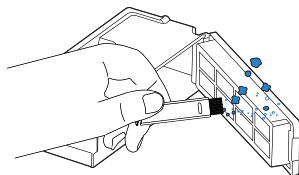


Filters

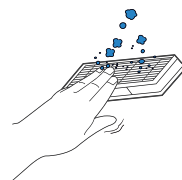
1



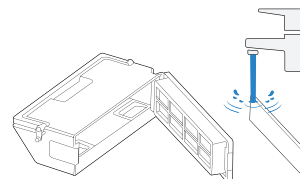
2



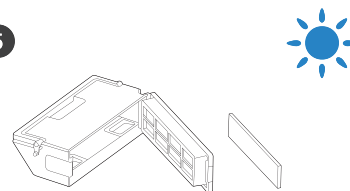
3



4



5



4 Troubleshooting

No.	Problem	Possible Cause	Solution
1	DEEBOT does not start auto-emptying after returning to the Auto-Empty Station.	The Dust Container Lid is not closed.	Close the Dust Container Lid.
		The Dust Bag is not installed to the Auto-Empty Station.	Install the Dust Bag and close the Dust Container Lid.
		Manually move DEEBOT to the Auto-Empty Station will not trigger Auto-Emptying.	In order to make sure DEEBOT starts auto-emptying successfully, avoid picking up and moving the Auto-Empty Station during the cleaning.
		DEEBOT returns to the Auto-Emptying Station running Video Manager in the App.	This is normal.
		Do Not Disturb mode is enabled in ECOVACS HOME App.	This is normal. Disable Do Not Disturb mode in the App, or start auto-emptying manually.
		The Dust Bag is full.	Replace the Dust Bag and close the Dust Container Lid.
		If the possible causes are excluded, it might be a component malfunction.	Please contact customer service.
2	DEEBOT fails to auto-empty the Dust Bin.	The Auto-Empty Dust Bin is not installed.	Please install the Auto-Empty Dust Bin with two Auto-Empty Outlets on the bottom.
		The Dust Bag is full.	Replace the Dust Bag and close the Dust Container Lid.
		The Auto-Empty Outlets on the Auto-Empty Dust Bin is stuck by debris.	Uninstall the Auto-Empty Dust Bin and clean the debris on the Auto-Empty Outlets.
		Dust Evacuation Tube is blocked.	Clean the Dust Evacuation Tube.
3	There is debris in the Dust Container.	Fine particles are absorbed inside the Dust Container through the Dust Bag.	Clean the Dust Container Lid and inner wall.
		The Dust Bag is damaged.	Check the Dust Bag and replace it.
4	DEEBOT leaks dust or debris while cleaning.	The Auto-Empty Outlets are stuck by debris.	Uninstall the Auto-Empty Dust Bin and clear the debris.
5	The Base is dirty.	Main Brush has debris on it and requires cleaning.	Clean the Main Brush.

5 Product Specifications

Model	CH1918
Rated Input	120V ~ 50-60Hz 8A
Rated Output (Charging)	20V === 1A