

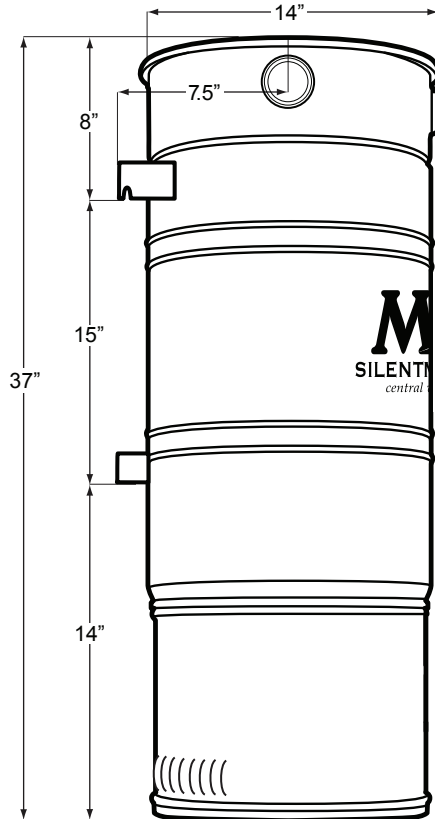
# SILENTMASTER®

MANUFACTURED BY  
**MD**  
CENTRAL VACUUMS

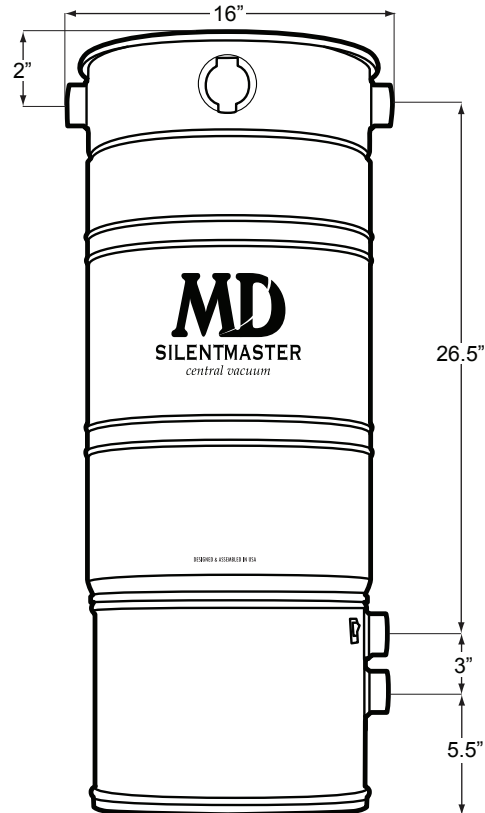
SPECIFICATIONS FOR MODEL

# S2

#S2254ND 240 VOLT



SIDE VIEW



FRONT VIEW

## PERFORMANCE

Sealed Vacuum . . . . . 95"  
CFM . . . . . 208  
Air Watts . . . . . 722  
Volts . . . . . 240  
Amperage . . . . . 9.8  
Quietness . . . . . 62dBa  
Coverage . . . . . 8,000 ft<sup>2</sup>

\*Excellent performance for homes up to 8,000 ft<sup>2</sup>. Consider all factors when choosing a unit including air watts, altitude, usage, complexity of pipe installation, furthest inlet from unit, noise level, filtration, manufacturing origin, construction, and budget.

## FEATURES

**Motor:** Two 2-stage motors producing high Cubic Feet of Air per Minute (CFM).  
**Filtration:** HyperFlow™ disposable 12-gallon bag.  
**Intakes:** Right & left intakes. Utility valve.  
**Construction:** Durable powder-coated all steel body.  
**Overload:** Heat protection resettable minibreaker.  
**Warranty:** Six Years + Lifetime on manufacturing. Find a better one and we'll match it.  
**Dims/Weight:** 14" Diameter, 37" Tall, 43 lbs.  
**Accessories:** All MD accessories and kits are compatible and are sold separately.  
**Optional:** Air Relief Valve, Mufflers. Closed bag filtration.

## INSTALLATION

**Electrical:**  
240V - 50/60HZ, 20 amp circuit. Separate circuit recommended. 6' Cord with typical 240v plug. Fits NEMA 6-20R receptacle.  
**Mounting:**  
Two-stud 17" wide bracket. Easy to hang and remove. Left/right variable positioning. Mount 6" off ground. Leave 24" above unit.  
**Venting:**  
Exterior venting not necessary. 30ft maximum dual line if venting.

|                |  |                     |  |
|----------------|--|---------------------|--|
| <b>PROJECT</b> |  | <b>LOCATION</b>     |  |
| <b>DEALER</b>  |  | <b>DATE / PRICE</b> |  |



Designed & Assembled in USA

[WWW.BUILTINVACUUM.COM/SILENT\\_MASTER](http://WWW.BUILTINVACUUM.COM/SILENT_MASTER)

M.D. Manufacturing, Inc. 800.525.2055  
34970 McMurtrey Ave. 661.283.7550  
Bakersfield, CA 93308 FAX 661.283.7554